

## Technical Data

### Connections

Wiring Options	
Field side	Fixed screw terminals
Control side	DCS specified connector
RS-485	Removable screw terminals
Power	Removable screw terminals

### Electrical

Mounting	20 – 30 VDC
Power consumption	0.7 W
Power fuse	3.15A, 5x20mm
DC isolation of HART	30 VDC

### Mechanical

Mounting	T type (EN 50022, DIN462777-3) or G type (EN 50035, DIN462777-1) DIN rail
Signal Channels	Up to 32 unbalanced signal loops
Communication port	RS-485, differential pair plus GND
Communication speed	9600 or 19200 baud
Max. Conductor diameter	16 AWG (2.5 mm <sup>2</sup> )
Weight	25 oz. (709 g)
Dimensions	13.1" x 4.9" x 3.1" (L x W x H) w/o mux (333mm x 125mm x 79mm) 13.1" x 4.9" x 8.2" (L x W x H) w/ mux (333mm x 125mm x 208mm)

### Environmental

Operating Temperature Range	0°C to 55°C (32°F to 131°F)
Relative Humidity	5 to 90% non-condensing

### Interface Adapter Cards (IAC's) Options

#### APACS/QUADLOG

IA-MP-SAM-NIS (1 per 1132)	IA-MP-VIM-ISI (2 per 1132)
IA-MP-EAM-ISI (2 per 1132)	IA-MP-HFM-ISI (2 per 1132)

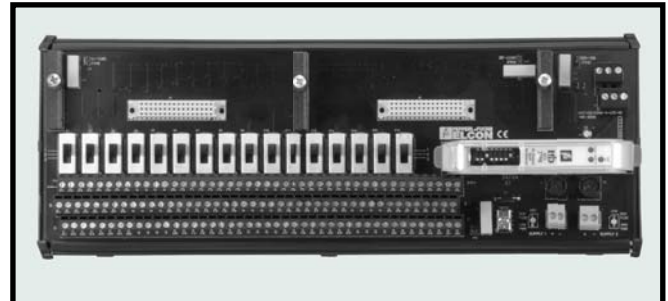
#### Bailey Infi90

IA-BA-AI-01-I-R (2 per 1132)	IA-BA-AI-03-BC (2 per 1132)
IA-BA-AO-HFT-01 (2 per 1132)	

### Installation Instruction

Product installation manual	<a href="http://www.elconhis.com/customized-siemensmoore.html">www.elconhis.com/customized-siemensmoore.html</a>
	<a href="http://www.elconhis.com/customized-bailey.html">www.elconhis.com/customized-bailey.html</a>

## HART Interface Solutions

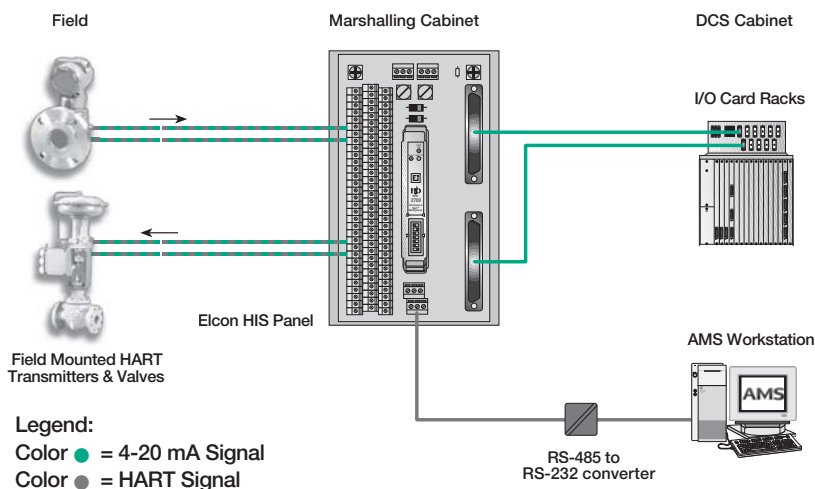


**Model Number**  
**1132/CON8-H-LTX-02**

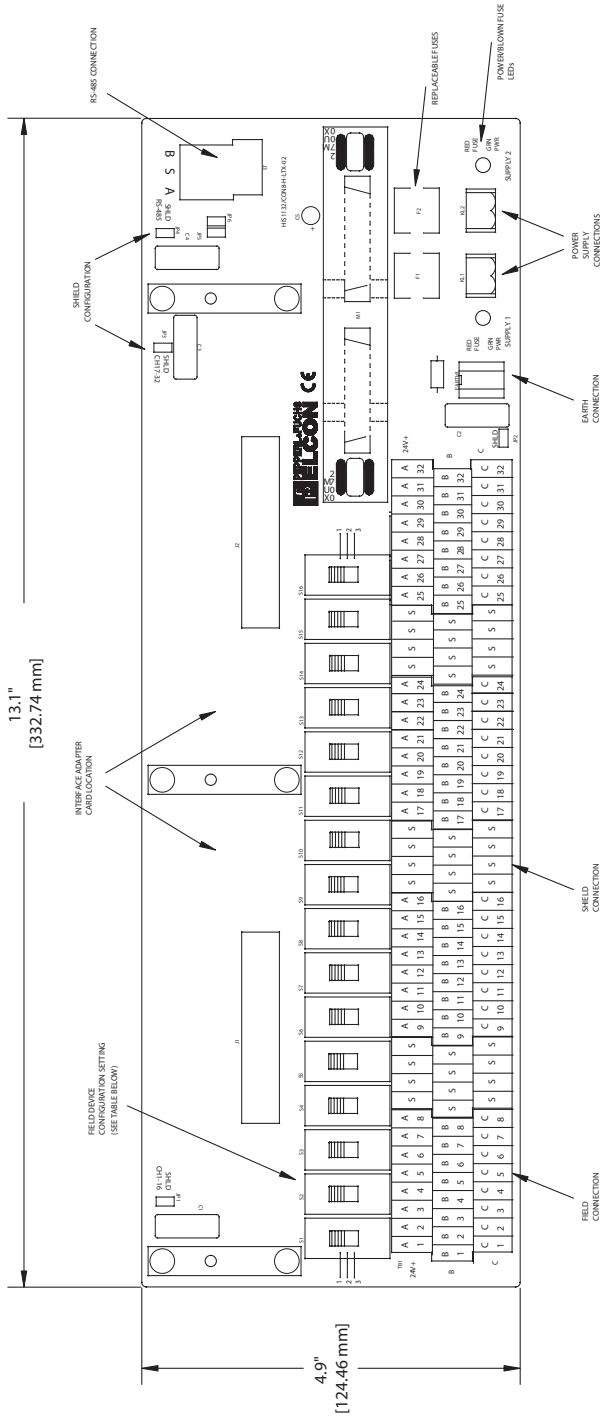
- APACS/QUADLOG replacement FTA
- Bailey Infi90 replacement FTA
- Product connector; DCS wiring
- Easy switch selectable configurations for AO and AI

The HPTB/1132/CON8-H-LTX is designed for easy 2700 multiplexer integration with the Siemens Moore APACS/Quadlog system or the Bailey Infi90. With the 2700 Mux integrated into the board and plug-n-play options for choosing the correct DCS connection through the Interface Adapter Card(IAC), this provides a clean and clear access to the HART signals, while reducing the need for marshalling cabinets and reduce equipment that require extra cabinet space.

The HART termination board provides a robust solution for on-line HART communications, interfaces up to 32 field located HART devices, and it allows the user to replace the standard DCS field termination panels.



# 1132/CON8-H-LTX-02



OPERATION	SWITCH POSITION	TERMINALS
4-20 mA	1	B,C
Loop Powered	2	24pin_C
1-5VDC+	3	B,C