

Technical Data

Connections

Wiring Options	
Field side	2 x 37 pin Sub-D
Control side	4 x 26 pin connectors
RS-485	Removable screw terminals
Power	Removable screw terminals

Electrical

Mounting	20 – 30 VDC
Power consumption	0.7 W
Power fuse	2.0A, 5x20mm
DC isolation of HART	30 VDC

Mechanical

Mounting	T type (EN 50022, DIN462777-3) or G type (EN 50035, DIN462777-1) DIN rail
Signal Channels	Up to 32 unbalanced signal loops
Communication port	RS-485, differential pair plus GND
Communication speed	9600 or 19200 baud
Max. Conductor diameter	16 AWG (2.5mm ²)
Weight	25 oz. (709 g)
Dimensions	11.8" x 5.0" x 2.84" (L x W x H) w/o mux (333mm x 127mm x 57mm) 13.1" x 5.0" x 7.5" (L x W x H) with mux (333mm x 127mm x 190mm)

Environmental

Operating Temperature Range	0°C to 55°C (32°F to 131°F)
Relative Humidity	5 to 90% non-condensing

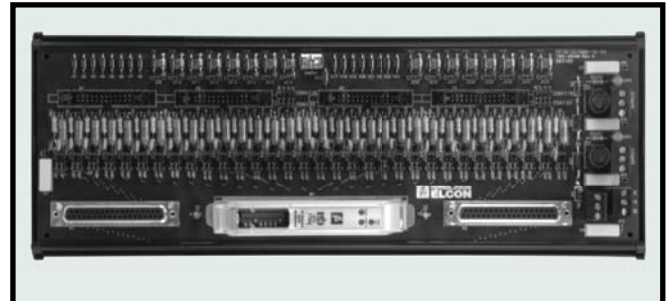
ABB I/O Interface

DSAI133 and DSAX110

Installation Instruction

Product installation manual	www.elconhis.com/customized-abb.html
-----------------------------	--

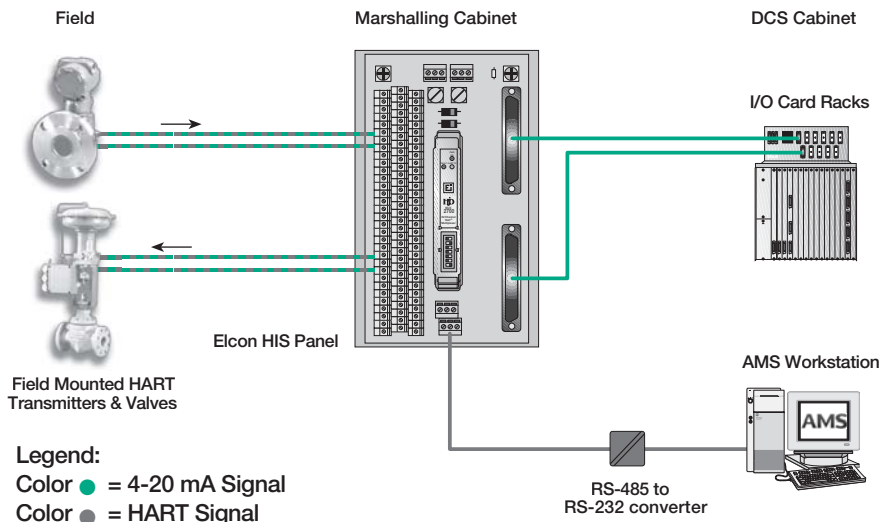
HART Interface Solutions



Model Number
HPTB/32/ABB1B-02

- ABB I/O FTA replacement
- Plug n playwiring capabilities
- 37 pin D-Sub connectors; field wiring
- 26 Pin connectors; DCS wiring
- Redundant power supply connections
- Simple jumper setting for AI or AO
- Short Circuit protection

The HPTB/32/ABB1B-02 is designed for easy 2700 multiplexer integration with ABB I/O modules DSAI133 and DSAX110. With the 2700 Mux integrated into the board and plug-n-play options for field and DCS equipment, this provides a clean and clear access to the HART signals. The HART termination board provides a robust solution for on-line HART communications, interfaces up to 32 field located HART devices, and, it allows the user to replace standard DCS field termination panels.



HPTB/32/ABB1B-02

