

Technical Data

Connections

Wiring Options	
Field side	2 x 37 pin Sub-D
Control side	4 x 25 pin D-sub connectors (FBM200)
RS-485	Removable screw terminals
Power	Removable screw terminals

Electrical

Mounting	20 – 30 VDC
Power consumption	0.7 W
Power fuse	315mA, 5x20mm
DC isolation of HART	30 VDC

Mechanical

Mounting	T type (EN 50022, DIN462777-3) or G type (EN 50035, DIN462777-1) DIN rail
Signal Channels	Up to 32 unbalanced signal loops
Communication port	RS-485, differential pair plus GND
Communication speed	9600 or 19200 baud
Max. Conductor diameter	16 AWG (2.5mm ²)
Weight	18 oz. (510 g)
Dimensions	10.2" x 4.75" x 2.25" (L x W x H) w/o mux (260mm x 120mm x 57mm) 13.1" x 5.0" x 7.0" (L x W x H) with mux (260mm x 120mm x 94mm)

Environmental

Operating Temperature Range	0°C to 55°C (32°F to 131°F)
Relative Humidity	5 to 90% non-condensing

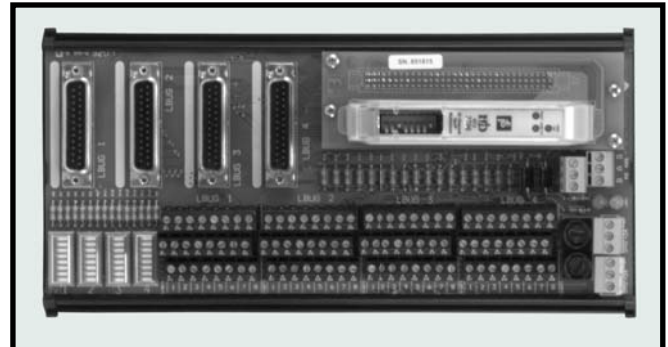
Foxboro I/O Interface

FBM 204*, FBM 201, FBM 237	*Adapter 509004 required
----------------------------	--------------------------

Installation Instruction

Product installation manual	www.elconhis.com/customized-foxboro.html
-----------------------------	--

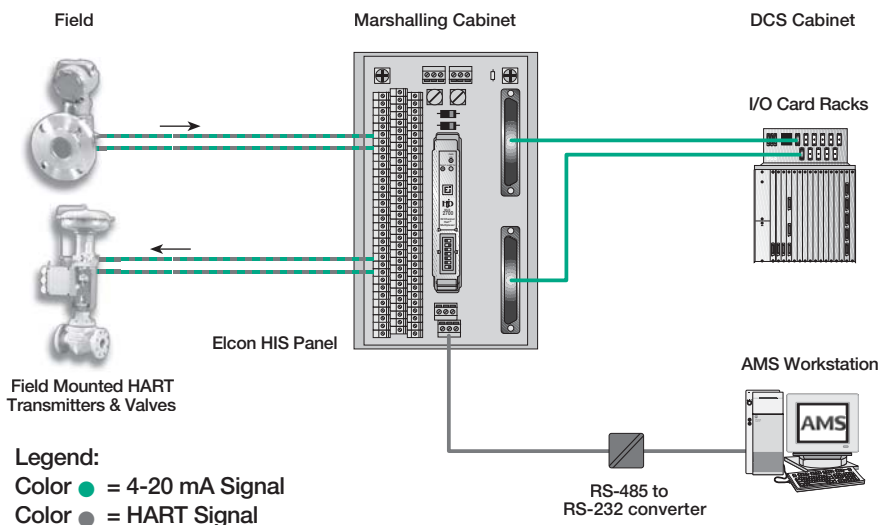
HART Interface Solutions



Model Number
HPTB/32/FOX2001C-02

- IA 200 replacement FTA
- Designed for FBM's 201, 204 and 237
- 25 Pin D-sub connectors; DCS wiring
- Redundant power supply connections
- Easy to add line impedance

The HPTB/32/FOX2001C-02 is designed for easy 2700 multiplexer integration with Foxboro IA 200 series controller. With the 2700 Mux integrated into the board and plug-n-play options for the DCS equipment, this provides a clean and clear access to the HART signals, while reducing the need for marshalling cabinets and extra equipment that reduce cabinet space. The HART termination board provides a robust solution for on-line HART communications, interfaces up to 32 field located HART devices, and it allows the user to replace the standard DCS field termination panels.



HPTB/32/FOX2001C-02

