

KFA6-STR-1.24.500

DIN-RAIL POWER SUPPLY

- 230V AC / 115 V AC mains nominal voltage.
- 24 V DC output voltage.
- Max. output current 500 mA.
- No ground connection required.
- Removable terminals and Power Rail.

Application

DIN Rail power supply for small applications and fully compatible with K-System Power Rail.

The output voltage of the power supply is regulated and remains stable regardless of the size of the power supply and the load current.

Specification

Power Supply

CONNECTION TYPE: Terminals 14, 15.

RATED OPERATIONAL VOLTAGE U_e : 90 ... 253 V AC, 48 ... 63 Hz.

Output

CONNECTION TYPE: Power Rail or terminals 7 (+), 8 (-).

VOLTAGE: 24 V \pm 0.5 V.

CURRENT: 500 mA at 60 °C, permanent short-circuit protection (electronically).

Galvanic Isolation

POWER SUPPLY/OUTPUT: safe isolation acc. to DIN VDE 0106, design isolation voltage 253 V_{eff}.

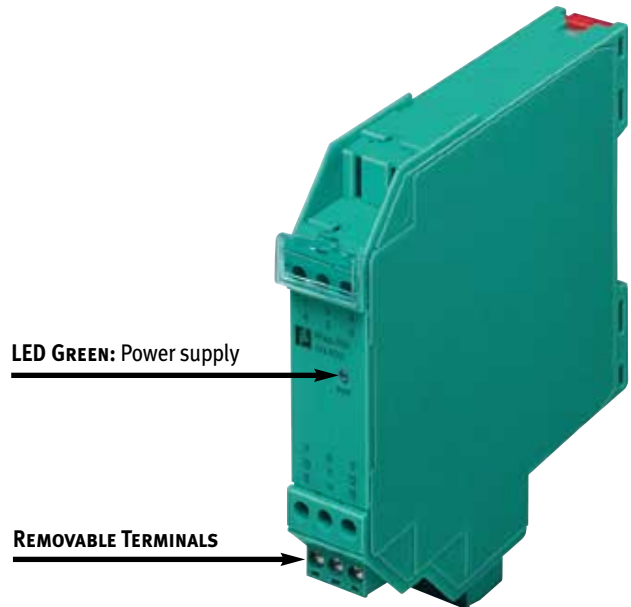
Ambient Conditions

AMBIENT TEMPERATURE: -20 ... 60 °C (253 ... 333 K).

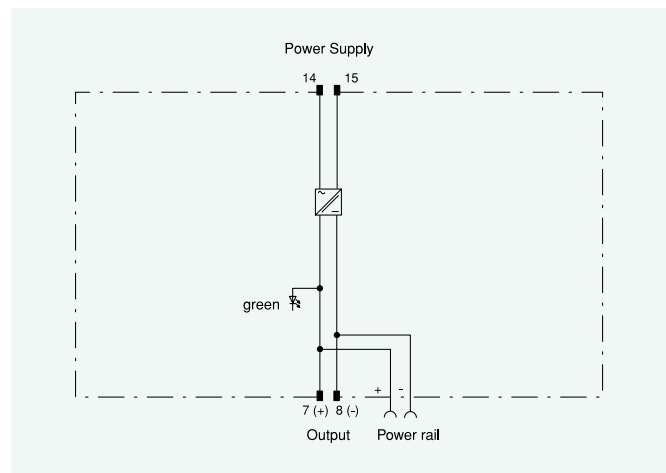
Mechanical specifications

WEIGHT: approximate 140 g.

KFA6-STR-1.24.500 replaces type STR300 and KFA*-STR-1.26.600.



Schematic



Module Dimensional Drawing

